

Service Information Letter

from AVIONIC INSTRUMENTS INC.

Notification of Reduced Reliability for Standby Static Inverters

Aircraft Effectivity: B737, B747, B757, B767, B777

<u>Boeing Part Numbers</u>	<u>Manufacturer's Part Numbers</u>
S282T004-10	1-002-0102-1000
S282T004-20	1-002-0102-2062
S282T004-30	1-002-0102-2090

Inverter Effectivity: Units specified in the Tables below should be returned to Avionic Instruments Inc. for inspection and possible upgrade.

Background

Two types of signal transistors, of suspect quality, were installed on static inverters manufactured between January and September 2005. Certain units that were repaired during that time period may also have the incorrect transistors installed. These transistors fail prematurely, and are believed to be the root cause of multiple bridge component failures. This failure results in the loss of static inverter output.

Planning

Avionic Instruments has released this SIL to alert the fleet operators in possession of the in-service static inverters of the potential for reduced reliability. We are requesting that operators review their installation records and identify inverters with serial numbers listed in below. Once identified, operators should contact Avionic Instruments Inc. to coordinate the return of these units to Avionic Instruments Inc. for inspection and installation of correct transistors. The work will include replacement of small signal transistors, general unit inspection, and re-test at no charge. A modification plate will be added to the front panel of the inverter, and will indicate Service Information Letter 24-20-28 Incorporated. (See figure 1).

Units returned for this SIL activity, for which SB 1-002-0102-1000-24-28 applies and has not been incorporated, will also have that service bulletin incorporated free of charge.

February 2, 2006

SIL 24-20-28

Page 1 of 5

AVIONIC INSTRUMENTS INC.

1414 Randolph Avenue, Avenel, New Jersey 07001 Tel. 732-388-3500
FAX: (732) 382-4996 Email: techsupp@avionicinstruments.com

Service Information Letter

from AVIONIC INSTRUMENTS INC.

Contacts

For further information, please contact Avionics Instruments Inc. Repair Department/Customer Service Manager, Mr. Jim Schon by one of the following means:

Telephone: 732-388-3500

Fax: 732-382-4996

Mobile: 732-259-9341

Email: schon@avionicinstruments.com

Web: www.avionicinstruments.com

February 2, 2006

SIL 24-20-28

Page 2 of 5

AVIONIC INSTRUMENTS INC.

1414 Randolph Avenue, Avenel, New Jersey 07001 Tel. 732-388-3500
FAX: (732) 382-4996 Email: techsupp@avionicinstruments.com

Service Information Letter

from AVIONIC INSTRUMENTS INC.

Model 1C1000-1C-2090, Part Number 1-002-0102-2090, Boeing SCD S282T004-30
Model 1C1000-1C-2062, Part Number 1-002-0102-2062, Boeing SCD S282T004-20
Model 1C1000-1C-1000, Part Number 1-002-0102-1000, Boeing SCD S282T004-10

NEW PRODUCTION UNITS

CJ004343	CJ004377	CJ004411	CJ004449	CJ004492	CJ004532	CJ004577
CJ004344	CJ004378	CJ004412	CJ004450	CJ004493	CJ004533	CJ004578
CJ004345	CJ004379	CJ004413	CJ004451	CJ004494	CJ004534	CJ004580
CJ004346	CJ004380	CJ004414	CJ004452	CJ004495	CJ004535	CJ004582
CJ004347	CJ004381	CJ004415	CJ004453	CJ004496	CJ004536	CJ004586
CJ004348	CJ004382	CJ004416	CJ004454	CJ004497	CJ004538	CJ004587
CJ004349	CJ004383	CJ004417	CJ004455	CJ004498	CJ004539	CJ004588
CJ004351	CJ004384	CJ004418	CJ004457	CJ004499	CJ004541	CJ004589
CJ004352	CJ004385	CJ004419	CJ004458	CJ004500	CJ004542	CJ004590
CJ004353	CJ004386	CJ004420	CJ004459	CJ004501	CJ004543	CJ004592
CJ004354	CJ004387	CJ004421	CJ004460	CJ004502	CJ004544	CJ004593
CJ004355	CJ004388	CJ004423	CJ004461	CJ004504	CJ004545	CJ004594
CJ004356	CJ004389	CJ004424	CJ004464	CJ004505	CJ004546	CJ004597
CJ004357	CJ004390	CJ004425	CJ004466	CJ004506	CJ004547	CJ004598
CJ004358	CJ004391	CJ004426	CJ004468	CJ004507	CJ004548	CJ004599
CJ004359	CJ004392	CJ004427	CJ004469	CJ004508	CJ004549	CJ004600
CJ004360	CJ004393	CJ004429	CJ004470	CJ004509	CJ004550	CJ004601
CJ004361	CJ004394	CJ004430	CJ004471	CJ004510	CJ004551	CJ004603
CJ004362	CJ004395	CJ004431	CJ004472	CJ004512	CJ004553	CJ004605
CJ004363	CJ004396	CJ004432	CJ004473	CJ004513	CJ004554	CJ004606
CJ004364	CJ004397	CJ004435	CJ004475	CJ004514	CJ004555	CJ004607
CJ004365	CJ004398	CJ004436	CJ004476	CJ004518	CJ004556	CJ004608
CJ004366	CJ004399	CJ004437	CJ004478	CJ004519	CJ004557	CJ004609
CJ004367	CJ004400	CJ004438	CJ004479	CJ004520	CJ004560	CJ004611
CJ004368	CJ004401	CJ004439	CJ004481	CJ004521	CJ004561	CJ004614
CJ004370	CJ004402	CJ004440	CJ004483	CJ004522	CJ004564	CJ004615
CJ004371	CJ004403	CJ004441	CJ004485	CJ004523	CJ004565	CJ004616
CJ004372	CJ004404	CJ004442	CJ004486	CJ004524	CJ004567	CJ004617
CJ004373	CJ004405	CJ004443	CJ004488	CJ004526	CJ004568	CJ004618
CJ004374	CJ004406	CJ004444	CJ004489	CJ004528	CJ004570	CJ004619
CJ004375	CJ004407	CJ004447	CJ004490	CJ004530	CJ004572	
CJ004376	CJ004409	CJ004448	CJ004491	CJ004531	CJ004574	

February 2, 2006

SIL 24-20-28

Page 3 of 5

AVIONIC INSTRUMENTS INC.

1414 Randolph Avenue, Avenel, New Jersey 07001 Tel. 732-388-5300
FAX: (732) 382-4996 Email: techsupp@avionicinstruments.com

Service Information Letter

from AVIONIC INSTRUMENTS INC.

Model 1C1000-1C-2090, Part Number 1-002-0102-2090, Boeing SCD S282T004-30
Model 1C1000-1C-2062, Part Number 1-002-0102-2062, Boeing SCD S282T004-20
Model 1C1000-1C-1000, Part Number 1-002-0102-1000, Boeing SCD S282T004-10

REPAIRED OR RETURNED UNITS

CJ000140	CJ003691	CJ003885
CJ000325	CJ003728	CJ003903
CJ000355	CJ003744	CJ003912
CJ000622	CJ003773	CJ003920
CJ001564	CJ003797	CJ003923
CJ002325	CJ003817	CJ004116
CJ003137	CJ003818	CJ004132
CJ003409	CJ003820	CJ004162
CJ003538	CJ003836	CJ004201
CJ003587	CJ003861	CJ004254
CJ003600	CJ003870	CJ004266
CJ003619	CJ003876	
CJ003672	CJ003882	

February 2, 2006

SIL 24-20-28

Page 4 of 5

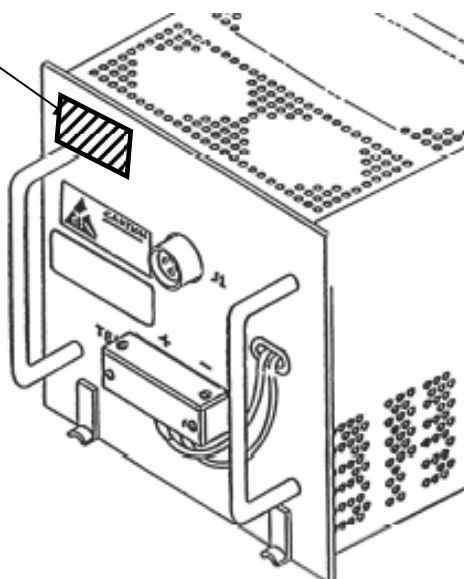
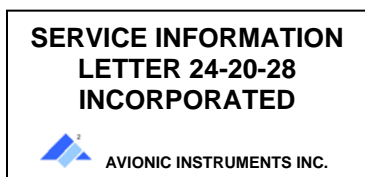
AVIONIC INSTRUMENTS INC.

1414 Randolph Avenue, Avenel, New Jersey 07001 Tel. 732-388-3500
FAX: (732) 382-4996 Email: techsupp@avionicinstruments.com

Service Information Letter

from AVIONIC INSTRUMENTS INC.

FIGURE 1



February 2, 2006

SIL 24-20-28
Page 5 of 5

AVIONIC INSTRUMENTS INC.

1414 Randolph Avenue, Avenel, New Jersey 07001 Tel. 732-388-3500
FAX: (732) 382-4996 Email: techsupp@avionicinstruments.com